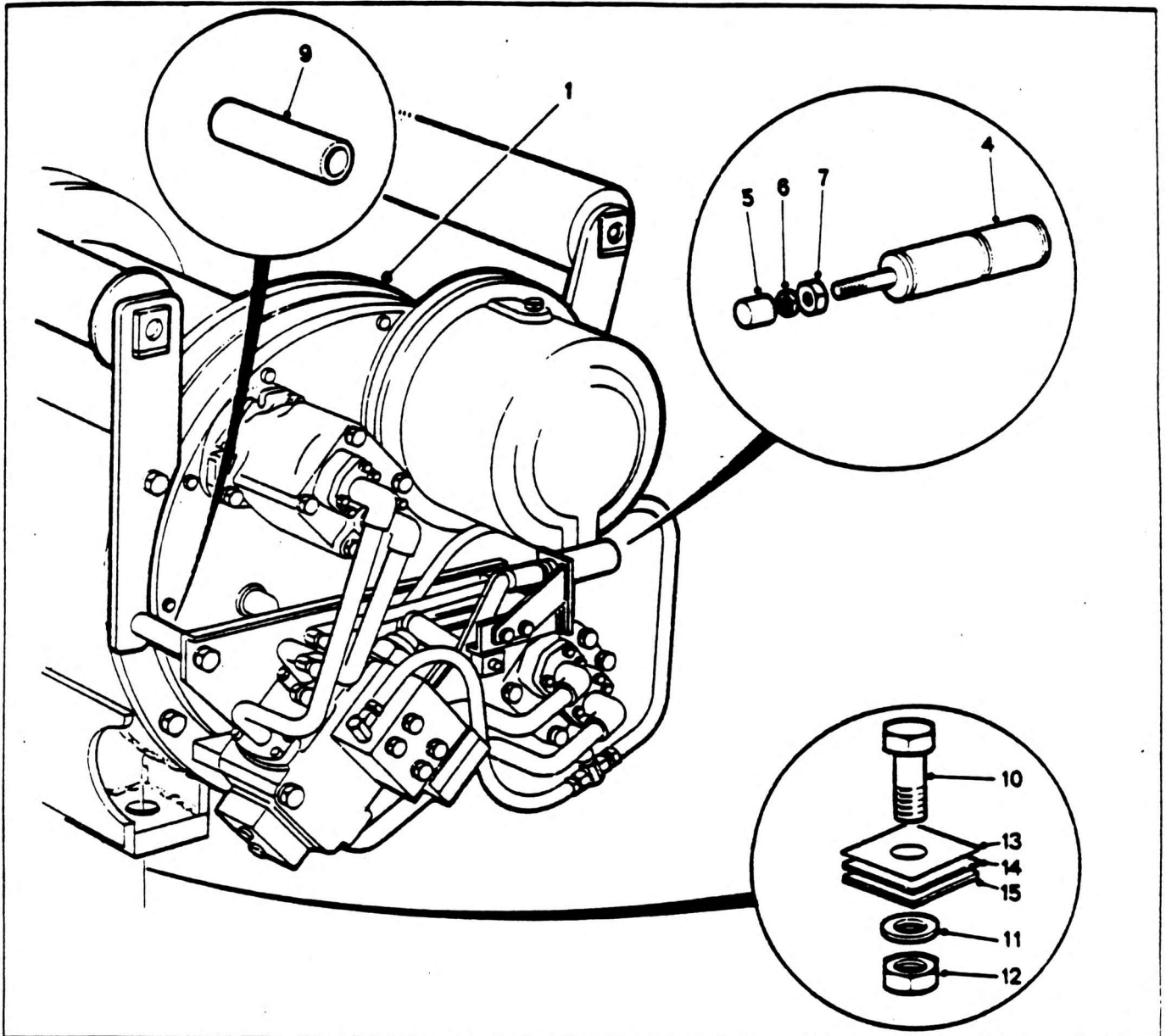


HOIST INSTALLATION



NO.	PART NO.	QTY.	DESCRIPTION	NO.	PART NO.	QTY.	DESCRIPTION
1	+-	1	Winch				
4	+	1	Hydraulic Cylinder				
5		1	Rod End				
6		1	Hex Nut 5/16" UNC				
7		1	Thin Lock Nut 5/16" UNC				
10		4	Hex Head Bolt 1 1/4" UNC x 4" Long				
11		4	Hardened Round Washer				
12		4	Hex Nut 1 1/4"-7NC				
13		2	Shim 1/4" Stl x 3" x 4" Long				
14		2	Shim - 16 Gauge x 3" x 4" Long				
15		2	Shim - 20 Gauge x 3" x 4" Long				

+ See further breakdown in this group
 - Refer to MCI for applicable number

6-527-990077
 Issue No.04